

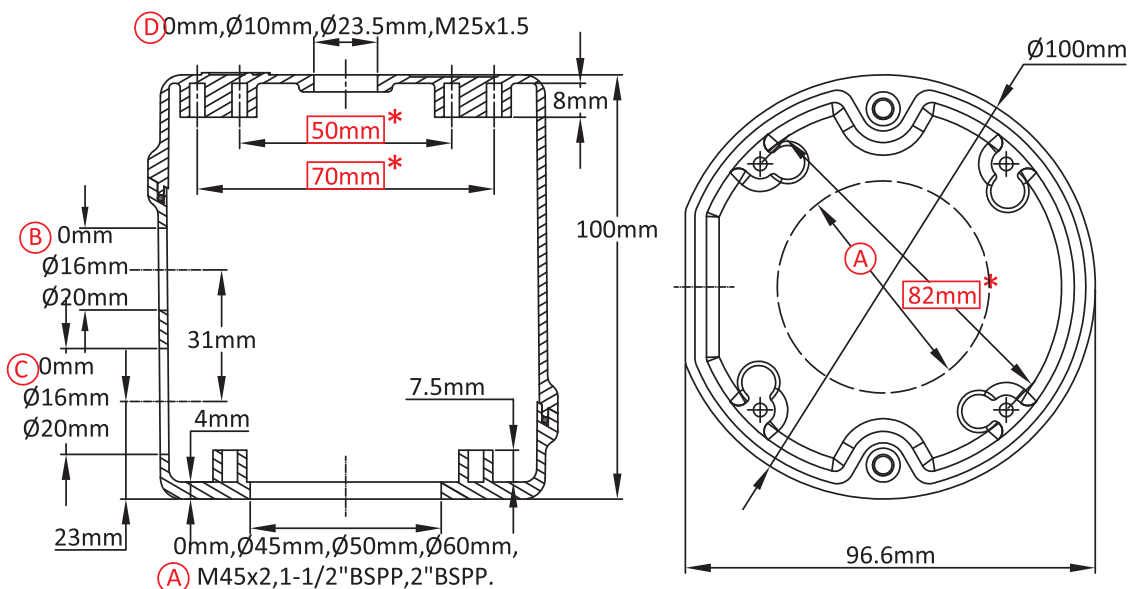


用于浸入式加热器或温度传感器的圆外壳

尺寸 (mm)	体积 (cm ³)	材料	防护等级		型号
直径 100 × 100	700	PA66	IP69K	IK10	Y306 (P1)

适用于

- 温度传感器
- 浸入式加热器
- 翅片式加热器
- 温控器
- 液位传感器
- 电子板



主要编号

Ⓐ (mm)	Ⓑ (mm)	Ⓒ (mm)	Ⓓ (mm)	编号	Ⓐ (mm)	Ⓑ (mm)	Ⓒ (mm)	Ⓓ (mm)	编号
0	0	0	0	Y30600000000000T	0	16	20	0	Y30600002C00000T
0	0	0	10	Y306000A0000000T	0	16	20	10	Y306000A2C00000T
0	0	0	23.5	Y306000D0000000T	0	16	20	23.5	Y306000D2C00000T
0	0	0	M25×1.5	Y306000F0000000T	0	16	20	M25×1.5	Y306000F2C00000T
0	0	16	0	Y30600001160000T	0	20	20	0	Y30600002200000T
0	0	16	10	Y306000A1160000T	0	20	20	10	Y306000A2200000T
0	0	16	23.5	Y306000D1160000T	0	20	20	23.5	Y306000D2200000T
0	0	16	M25×1.5	Y306000F1160000T	0	20	20	M25×1.5	Y306000F2200000T
0	0	20	0	Y30600001200000T	45	0	0	0	Y30645000000000T
0	0	20	10	Y306000A1200000T	45	0	0	10	Y306450A00000000T
0	0	20	23.5	Y306000D1200000T	45	0	0	23.5	Y306450D00000000T
0	0	20	M25×1.5	Y306000F1200000T	45	0	0	M25×1.5	Y306450F00000000T
0	16	16	0	Y30600002160000T	45	0	16	0	Y30645001160000T
0	16	16	10	Y306000A2160000T	45	0	16	10	Y306450A1160000T
0	16	16	23.5	Y306000D2160000T	45	0	16	23.5	Y306450D1160000T
0	16	16	M25×1.5	Y306000F2160000T	45	0	16	M25×1.5	Y306450F1160000T

这些编号是不包括电缆接头的，如果您想要，请咨询我们。
长方形框里的红色尺寸是用于组装附件。

由于我们的产品是不断地持续改进的，数据表上使用的图纸、描述、特性等只是作为引导而已，可以不经提前通知进行更改。

**Y306
(P2)****用于浸入式加热器或温度传感器的圆外壳**

由于我们的产品是不断地持续改进的，数据表上使用的图纸、描述、特性等只是作为引导而已，可以不经提前通知进行更改。

Ⓐ (mm)	Ⓑ (mm)	Ⓒ (mm)	Ⓓ (mm)	编号	Ⓐ (mm)	Ⓑ (mm)	Ⓒ (mm)	Ⓓ (mm)	编号
45	0	20	0	Y30645001200000T	M45×2	0	16	0	Y306M4501600000T
45	0	20	10	Y306450A1200000T	M45×2	0	16	10	Y306M45A1600000T
45	0	20	23.5	Y306450D1200000T	M45×2	0	16	23.5	Y306M45D1600000T
45	0	20	M25×1.5	Y306450F1200000T	M45×2	0	16	M25×1.5	Y306M45F1600000T
45	16	16	0	Y30645002160000T	M45×2	0	20	0	Y306M4502160000T
45	16	16	10	Y306450A2160000T	M45×2	0	20	10	Y306M45A2160000T
45	16	16	23.5	Y306450D2160000T	M45×2	0	20	23.5	Y306M45D2160000T
45	16	16	M25×1.5	Y306450F2160000T	M45×2	0	20	M25×1.5	Y306M45F2160000T
45	16	20	0	Y30645002C00000T	M45×2	16	16	0	Y306M4502160000T
45	16	20	10	Y306450A2C00000T	M45×2	16	16	10	Y306M45A2160000T
45	16	20	23.5	Y306450D2C00000T	M45×2	16	16	23.5	Y306M45D2160000T
45	16	20	M25×1.5	Y306450F2C00000T	M45×2	16	16	M25×1.5	Y306M45F2160000T
45	20	20	0	Y30645002200000T	M45×2	16	20	0	Y306M4502C00000T
45	20	20	10	Y306450A2200000T	M45×2	16	20	10	Y306M45A2C00000T
45	20	20	23.5	Y306450D2200000T	M45×2	16	20	23.5	Y306M45D2C00000T
45	20	20	M25×1.5	Y306450F2200000T	M45×2	16	20	M25×1.5	Y306M45F2C00000T
50	0	0	0	Y306500000000000T	M45×2	20	20	0	Y306M4502200000T
50	0	0	10	Y306500A000000000T	M45×2	20	20	10	Y306M45A2200000T
50	0	0	23.5	Y306500D000000000T	M45×2	20	20	23.5	Y306M45D2200000T
50	0	0	M25×1.5	Y306500F000000000T	M45×2	20	20	M25×1.5	Y306M45F2200000T
50	0	16	0	Y30650001600000T	1½"BSPP	0	0	0	Y306BA200000000T
50	0	16	10	Y306500A1600000T	1½"BSPP	0	0	10	Y306BA2A0000000T
50	0	16	23.5	Y306500D1600000T	1½"BSPP	0	0	23.5	Y306BA2D0000000T
50	0	16	M25×1.5	Y306500F1600000T	1½"BSPP	0	0	M25×1.5	Y306BA2F0000000T
50	0	20	0	Y30650001200000T	1½"BSPP	0	16	0	Y306BA201160000T
50	0	20	10	Y306500A1200000T	1½"BSPP	0	16	10	Y306BA2A1160000T
50	0	20	23.5	Y306500D1200000T	1½"BSPP	0	16	23.5	Y306BA2D1160000T
50	0	20	M25×1.5	Y306500F1200000T	1½"BSPP	0	16	M25×1.5	Y306BA2F1160000T
50	16	16	0	Y30650002160000T	1½"BSPP	0	20	0	Y306BA201200000T
50	16	16	10	Y306500A2160000T	1½"BSPP	0	20	10	Y306BA2A2160000T
50	16	16	23.5	Y306500D2160000T	1½"BSPP	0	20	23.5	Y306BA2D2160000T
50	16	16	M25×1.5	Y306500F2160000T	1½"BSPP	0	20	M25×1.5	Y306BA2F2160000T
50	16	20	0	Y30650002C00000T	1½"BSPP	16	16	0	Y306BA202160000T
50	16	20	10	Y306500A2C00000T	1½"BSPP	16	16	10	Y306BA2A2160000T
50	16	20	23.5	Y306500D2C00000T	1½"BSPP	16	16	23.5	Y306BA2D2160000T
50	16	20	M25×1.5	Y306500F2C00000T	1½"BSPP	16	16	M25×1.5	Y306BA2F2160000T
50	20	20	0	Y30650002200000T	1½"BSPP	16	20	0	Y306BA202C00000T
50	20	20	10	Y306500A2200000T	1½"BSPP	16	20	10	Y306BA2A2C00000T
50	20	20	23.5	Y306500D2200000T	1½"BSPP	16	20	23.5	Y306BA2D2C00000T
50	20	20	M25×1.5	Y306500F2200000T	1½"BSPP	16	20	M25×1.5	Y306BA2F2C00000T
60	0	0	0	Y306600000000000T	1½"BSPP	20	20	0	Y306BA202200000T
60	0	0	10	Y306600A000000000T	1½"BSPP	20	20	10	Y306BA2A2200000T
60	0	0	23.5	Y306600D000000000T	1½"BSPP	20	20	23.5	Y306BA2D2200000T
60	0	0	M25×1.5	Y306600F000000000T	1½"BSPP	20	20	M25×1.5	Y306BA2F2200000T
60	0	16	0	Y30660001160000T	2"BSPP	0	0	0	Y306BB200000000T
60	0	16	10	Y306600A1160000T	2"BSPP	0	0	10	Y306BB2A0000000T
60	0	16	23.5	Y306600D1160000T	2"BSPP	0	0	23.5	Y306BB2D0000000T
60	0	16	M25×1.5	Y306600F1160000T	2"BSPP	0	0	M25×1.5	Y306BB2F0000000T
60	0	20	0	Y30660001200000T	2"BSPP	0	16	0	Y306BB201160000T
60	0	20	10	Y306600A1200000T	2"BSPP	0	16	10	Y306BB2A1160000T
60	0	20	23.5	Y306600D1200000T	2"BSPP	0	16	23.5	Y306BB2D1160000T
60	0	20	M25×1.5	Y306600F1200000T	2"BSPP	0	16	M25×1.5	Y306BB2F1160000T
60	16	16	0	Y30660002160000T	2"BSPP	0	20	0	Y306BB201200000T
60	16	16	10	Y306600A2160000T	2"BSPP	0	20	10	Y306BB2A2160000T
60	16	16	23.5	Y306600D2160000T	2"BSPP	0	20	23.5	Y306BB2D2160000T
60	16	16	M25×1.5	Y306600F2160000T	2"BSPP	0	20	M25×1.5	Y306BB2F2160000T
60	16	20	0	Y30660002C00000T	2"BSPP	16	16	0	Y306BB202160000T
60	16	20	10	Y306600A2C00000T	2"BSPP	16	16	10	Y306BB2A2160000T
60	16	20	23.5	Y306600D2C00000T	2"BSPP	16	16	23.5	Y306BB2D2160000T
60	16	20	M25×1.5	Y306600F2C00000T	2"BSPP	16	16	M25×1.5	Y306BB2F2160000T
60	20	20	0	Y30660002200000T	2"BSPP	16	20	0	Y306BB202C00000T
60	20	20	10	Y306600A2200000T	2"BSPP	16	20	10	Y306BB2A2C00000T
60	20	20	23.5	Y306600D2200000T	2"BSPP	16	20	23.5	Y306BB2D2C00000T
60	20	20	M25×1.5	Y306600F2200000T	2"BSPP	16	20	M25×1.5	Y306BB2F2C00000T
M45×2	0	0	0	Y306M45000000000T	2"BSPP	20	20	0	Y306BB202200000T
M45×2	0	0	10	Y306M45A000000000T	2"BSPP	20	20	10	Y306BB2A2200000T
M45×2	0	0	23.5	Y306M45D000000000T	2"BSPP	20	20	23.5	Y306BB2D2200000T
M45×2	0	0	M25×1.5	Y306M45F000000000T	2"BSPP	20	20	M25×1.5	Y306BB2F2200000T